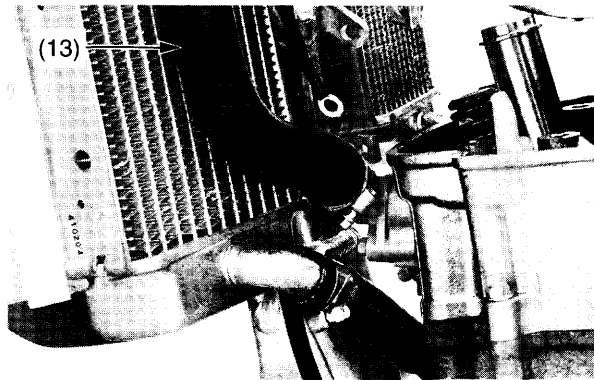


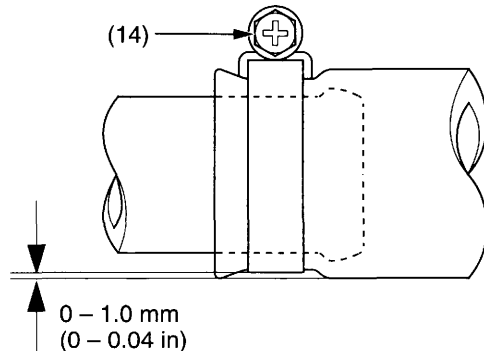
Piston/Piston Rings/Piston Pin

6. Connect the radiator hose (13) to the cylinder head.



(13) radiator hose

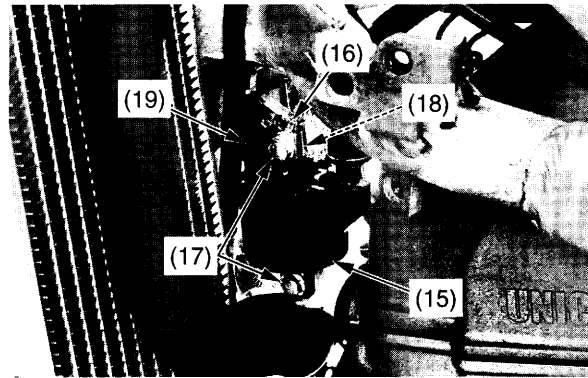
7. Tighten the radiator hose clamp screw (14) as illustrated below.



(14) radiator hose clamp screw

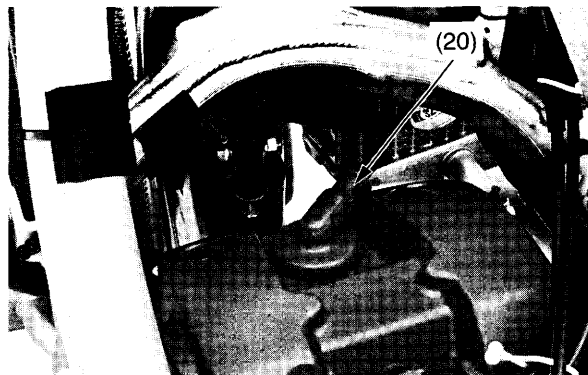
8. Install the camshaft holder assembly (page 60).
9. Install the spark plug (page 63).

10. Install the crankshaft hole cap (page 63).
11. Install the cylinder head cover (page 63).
12. Install the ignition coil (15), ground terminal (16), bolts (17) and nut (18).
Connect the primary wire connector (19).



(15) ignition coil
(16) ground terminal
(17) bolts
(18) nut
(19) primary wire connector

13. Install the spark plug cap (20).



(20) spark plug cap

14. Install the exhaust pipe (page 90).
15. Install the carburetor (page 126).
16. Install the subframe (page 32) and muffler (page 89).
17. Install the fuel tank and seat (pages 29, 31).
18. Fill and bleed the cooling system (page 41).

Check for the following:

- compression leaks
- abnormal engine noise
- secondary air leaks
- coolant leaks