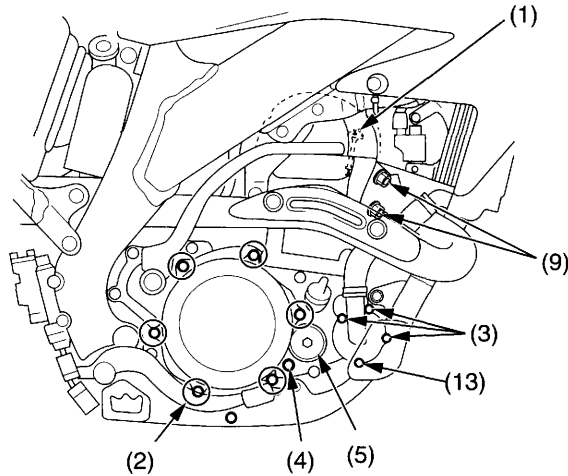
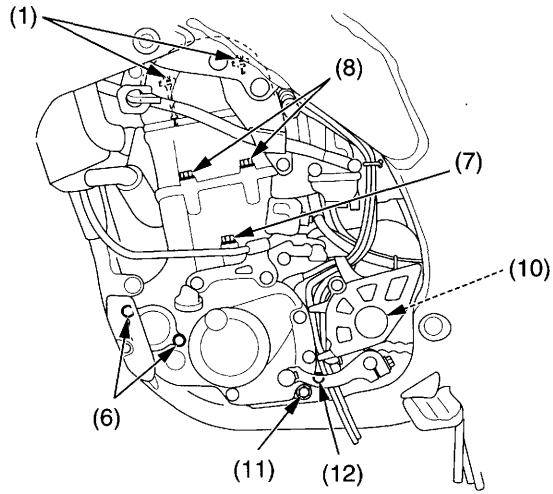


Nuts, Bolts, Fasteners

Check and tighten nuts, bolts, and fasteners before every outing.

Engine



ENGINE

	Item	Torque			Remarks
		N•m	kgf•m	lbf•ft	
1	Cylinder head cover bolts	10	1.0	7	
2	Clutch cover bolts	10	1.0	7	
3	Water pump cover bolts	10	1.0	7	
4	Transmission oil check bolt	10	1.0	7	
5	Crankshaft hole cap	15	1.5	11	NOTE 1
6	Oil filter cover bolts	12	1.2	9	
7	Cylinder bolt	10	1.0	7	
8	Cylinder head bolts	10	1.0	7	
9	Exhaust pipe joint nuts	21	2.1	15	
10	Drive sprocket bolt	31	3.2	23	
11	Engine oil drain bolt	16	1.6	12	
12	Transmission oil drain bolt	16	1.6	12	
13	Coolant drain bolt	10	1.0	7	

NOTE: 1. Apply grease to the threads.