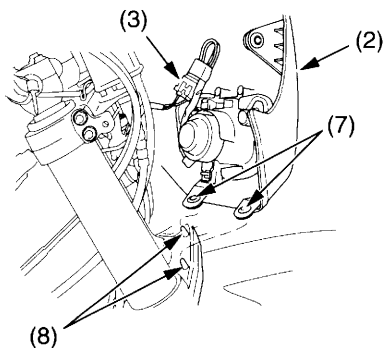
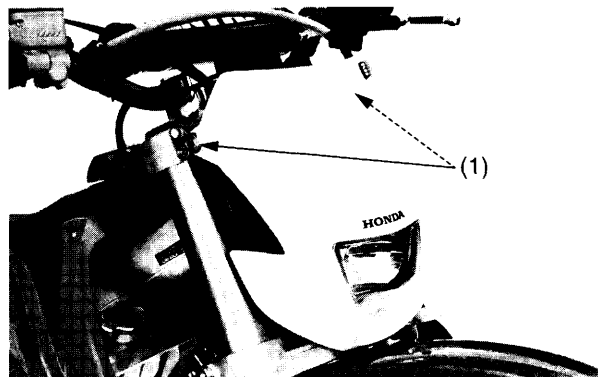


Steering Damper

5. Connect the headlight connector (3).
Install the front visor (2) by aligning its grommets (7) with the tabs (8) on the steering stem.
Install and tighten the front visor bolts (1).



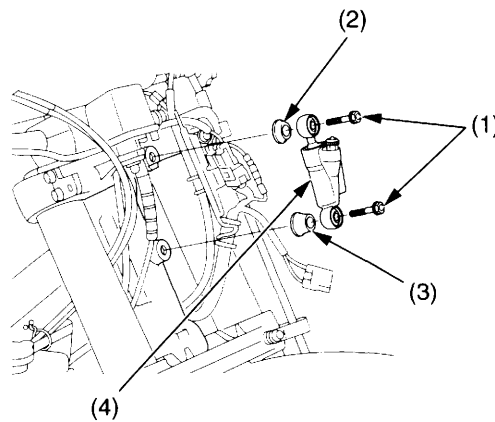
- (2) front visor
(3) headlight connector
(7) grommets
(8) tabs



- (1) front visor bolts

Removal

1. Remove the front visor (page 99).
2. Remove the steering damper mounting bolts (1), collar A (2), collar B (3) and steering damper (4).

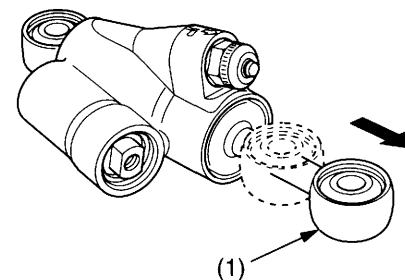


- (1) steering damper mounting bolts
(2) collar A
(3) collar B
(4) steering damper

Inspection

1. Check the damper rod (1) operation.
The damper rod is fully extended and compressed by hand. Release the damper rod, then check that it extends to its maximum length.

If the damper rod does not extend to its maximum length, disassemble and inspect for steering damper.
Refer to the Honda Service Manual or see your Honda dealer.



- (1) damper rod