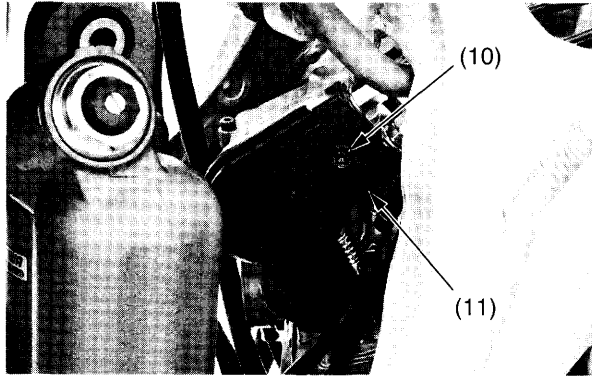
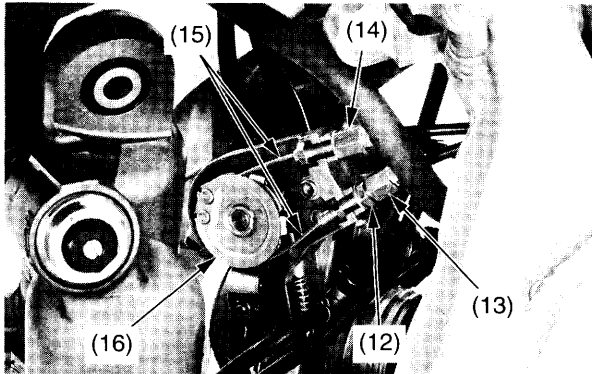


12. Remove the throttle drum cover bolt (10) and throttle drum cover (11).



(10) throttle drum cover bolt
(11) throttle drum cover

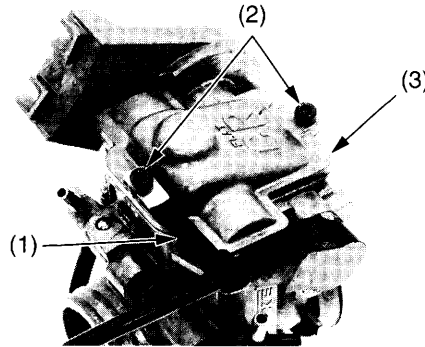
13. Loosen the throttle cable lock nut (12), adjuster (13), throttle cable bolt (14) and disconnect the throttle cables (15) from the throttle drum (16).



(12) throttle cable lock nut
(13) adjuster
(14) throttle cable bolt
(15) throttle cables
(16) throttle drum

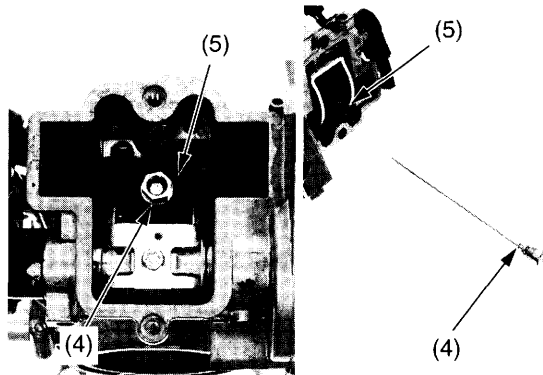
Carburetor Disassembly

1. Pull up the cable clamp (1).
2. Remove the carburetor top cover bolts (2), cable clamp and carburetor top cover (3).



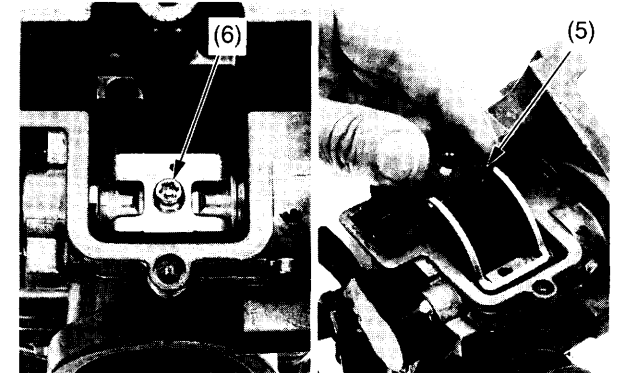
(1) cable clamp
(2) carburetor top cover bolts
(3) carburetor top cover

3. Remove the jet needle/holder assembly (4) from the throttle valve (5).



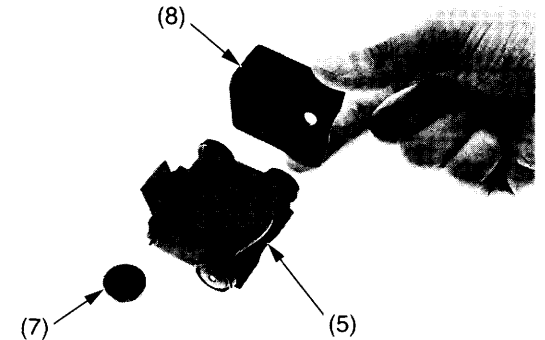
(4) jet needle/holder assembly
(5) throttle valve

4. Remove the link arm torx screw (6) and throttle valve (5).
When installing the link arm torx screw, apply a locking agent to the link arm torx screw threads.



(5) throttle valve
(6) link arm torx screw

5. Remove the throttle valve roller (7) and floating valve (8).



(7) throttle valve roller
(8) floating valve

(cont'd)