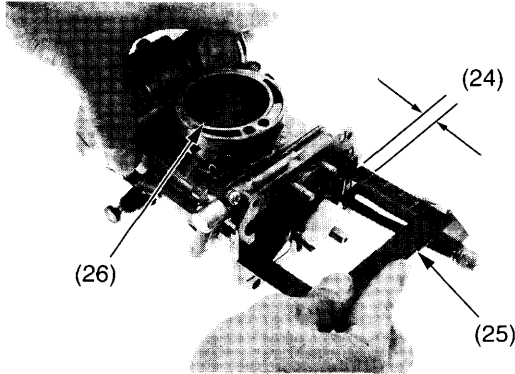
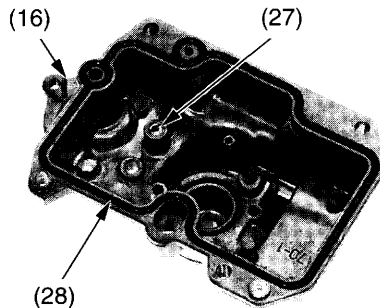


10. Measure the float level (24) with the float level gauge (25) during float tab is just contacting the float valve and the carburetor intake (26) facing up. The float level should be 0.31 in (8.0 mm).  
If the float level is out of specification, adjust it by bending the float tab carefully.



- (24) float level  
(25) float level gauge  
(26) carburetor intake

11. Remove the leak jet (27) and O-ring (28) from the float bowl (16).  
Clean the leak jet.



- (16) float bowl  
(27) leak jet  
(28) O-ring

## Carburetor Assembly

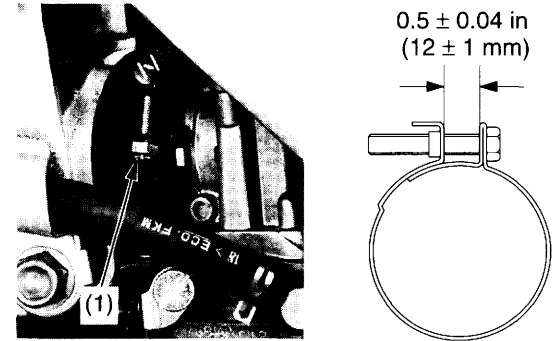
To assemble, reverse the disassembly procedures. To install the carburetor, reverse the removal procedures.

Tighten the following parts to the specified torque:

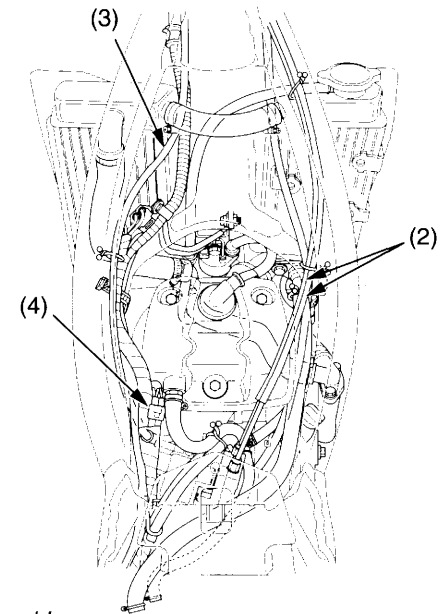
- leak jet:  
0.2 lbf-ft (0.3 N·m, 0.03 kgf·m)
- float bowl screws:  
1.5 lbf-ft (2.1 N·m, 0.2 kgf·m)
- accelerator pump cover screws:  
1.5 lbf-ft (2.1 N·m, 0.2 kgf·m)
- carburetor top cover bolts:  
1.5 lbf-ft (2.1 N·m, 0.2 kgf·m)
- jet needle/holder assembly:  
1.5 lbf-ft (2.1 N·m, 0.2 kgf·m)
- link arm torx screw:  
1.5 lbf-ft (2.1 N·m, 0.2 kgf·m)
- throttle drum cover bolt:  
2.5 lbf-ft (3.4 N·m, 0.3 kgf·m)
- hot start cable nut:  
1.5 lbf-ft (2.1 N·m, 0.2 kgf·m)
- throttle cable lock nut:  
3.0 lbf-ft (4.0 N·m, 0.4 kgf·m)
- throttle cable bolt:  
3.0 lbf-ft (4.0 N·m, 0.4 kgf·m)
- shock absorber upper mounting nut:  
32 lbf-ft (44 N·m, 4.5 kgf·m)

- Tighten the insulator band screw (1) so the insulator band distance is  $0.5 \pm 0.04$  in ( $12 \pm 1$  mm).
- Route the throttle cables (2), hot start cable (3) and throttle position sensor wire correctly.
- After installing the carburetor, adjust the throttle grip freeplay and hot start lever freeplay.
- After installing the carburetor, check the throttle position sensor connector (4) for correct routing.

- After installing the carburetor, check the air vent hoses (5) and overflow hose (6) for kinking or pinching and correct routing.
- After connecting the fuel line (7), check the fuel line clamps (8) as illustrated. (next page)
- Check that the U-ring and O-ring are in good condition. Replace them if necessary.



(1) insulator band screw



(2) throttle cables  
(3) hot start cable  
(4) throttle position sensor connector