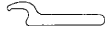





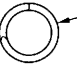

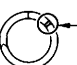
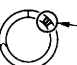


Optional Parts List

These parts and tools may be ordered from your Honda dealer.

FRAME	Remarks
Driven sprocket Standard	< >: Drive chain links 51 Teeth, Aluminum. <114>
Optional	50 Teeth, Aluminum <114>
	52 Teeth, Aluminum <116>
Handlebar lower holder Standard	3 mm offset
	Optional

TOOLS	Remarks
Pin spanner A 	To adjust spring pre-load. (two spanners required)
Workstand 	For maintenance
Air gauge	For checking tire air pressure

FRAME	Remarks
Shock spring Standard	308.0 lbf/in (5.50 kgf/mm)  No mark (factory products)
	or  Red paint (aftermarket parts)
	Optional Softer
Stiffer	319.2 lbf/in (5.70 kgf/mm)  Pink paint
	330.4 lbf/in (5.90 kgf/mm)  Silver paint
Fork spring Standard	26.32 lbf/in (0.47 kgf/mm)  No mark (factory products)
	or  1 scribe mark (aftermarket parts)
Optional Softer	25.20 lbf/in (0.45 kgf/mm)  2 scribe marks
Stiffer	27.44 lbf/in (0.49 kgf/mm)  3 scribe marks

The standard fork spring and shock spring mounted on the motorcycle when it leaves the factory are not marked. Before replacing the springs, be sure to mark them so they can be distinguished from other optional springs.