

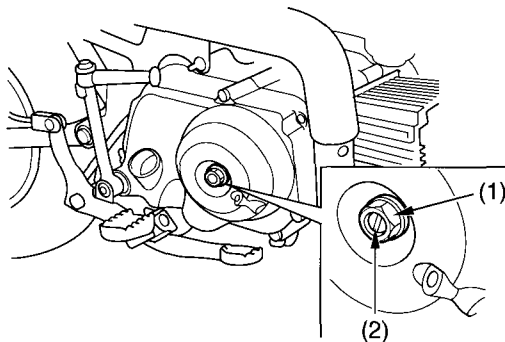
# Clutch System

---

Refer to *Safety Precautions* on page 45.

## Inspection

The engine should start easily with the kickstarter without the clutch slipping. When shifting gears, the clutch operation should be smooth and light, especially when shifting into neutral.



- (1) adjuster lock nut
- (2) clutch adjuster

## Adjustment

1. Loosen the adjuster lock nut ( 1).
2. Turn the clutch adjuster ( 2) clockwise one turn; do not turn excessively.