

## LEFT HANDLEBAR CONTROLS

### Headlight Dimmer Switch (1)

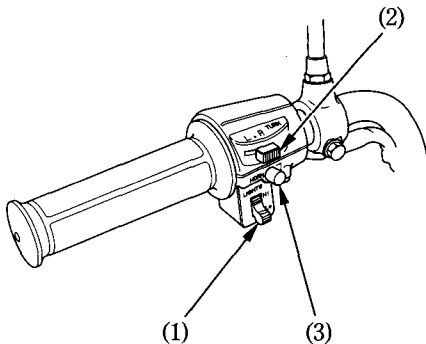
Move the dimmer switch to HI to select high beam or to LO to select low beam.

### Turn Signal Switch (2)

Move to L to signal a left turn, R to signal a right turn. Remember to return the switch to the center (off) after completing your turn or lane change.

### Horn Button (3)

Press the button to sound the horn.



- (1) Headlight dimmer switch
- (2) Turn signal switch
- (3) Horn button