

## SERIAL NUMBERS

The frame and engine serial numbers are required when registering your motorcycle. They may also be required by your dealer when ordering replacement parts.

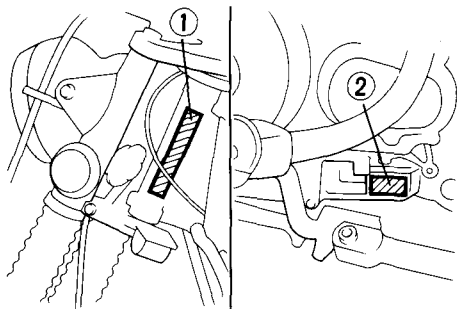
Record the numbers here for your reference.

The frame number (1) is stamped on the left side of the steering head.

The engine number (2) is stamped on the left side of the crankcase.

FRAME NO. \_\_\_\_\_

ENGINE NO. \_\_\_\_\_



(1) Frame number

(2) Engine number