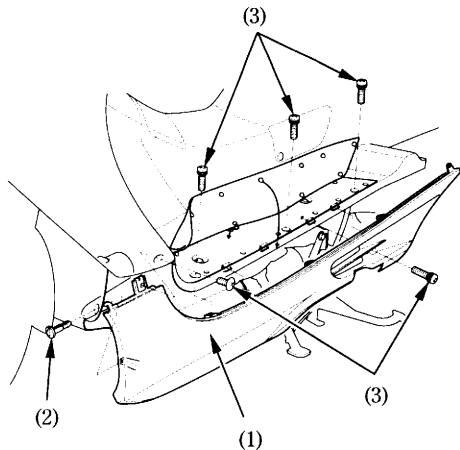


BELT CASE AIR CLEANER

(Refer to the maintenance precautions on page 66).

1. Remove the rear cover and left side cover (page 67).
2. Remove the left floor skirt (1) by removing the clip (2) and screws (3).



- (1) Left floor skirt
- (2) Clip
- (3) Screws