

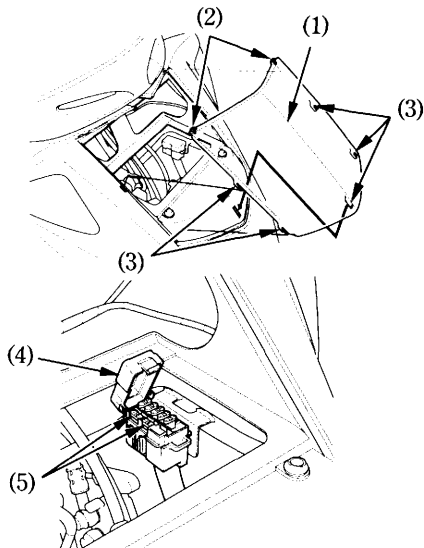
Fuse box:

The fuse box is located behind the front cover.

The specified fuses are:

10A, 15A

1. Remove the front cover (1).
 - 1) Pull out the clip (2) out to the first detent position.
 - 2) Slide the front cover upward and release the hooks (3).
2. Open the fuse box cover (4).
3. Pull out the old fuse and install a new fuse.
The spare fuses (5) are located in the fuse box.
4. Close the fuse box cover and install the front cover.



(1) Front cover

(2) Clip

(3) Hooks

(4) Fuse box cover

(5) Spare fuses