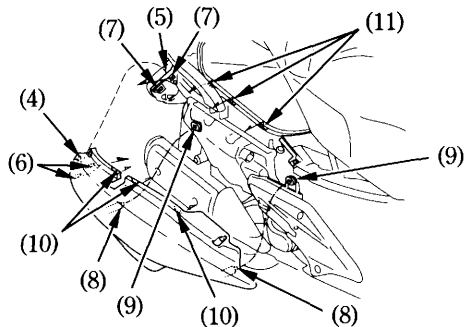
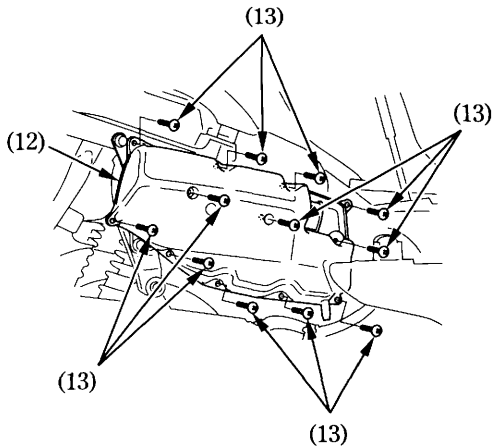


4. Remove the hook A (4) from the side of turn signal light case (5).
5. Remove the hooks B (6) from the slots B (7).
6. Remove the prongs (8) from the grommets (9).
7. Remove the hooks C (10) from the slots C (11).



- | | |
|----------------------------|--------------|
| (4) Hook A | (8) Prongs |
| (5) Turn signal light case | (9) Grommets |
| (6) Hooks B | (10) Hooks C |
| (7) Slots B | (11) Slots C |

8. Remove the air cleaner cover (12) by removing the screws C (13).



- | |
|------------------------|
| (12) Air cleaner cover |
| (13) Screws C |