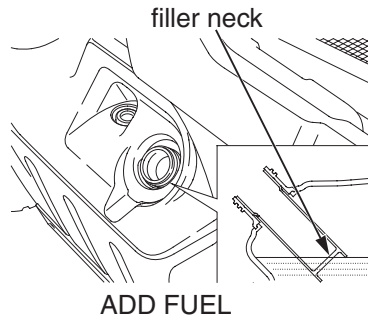
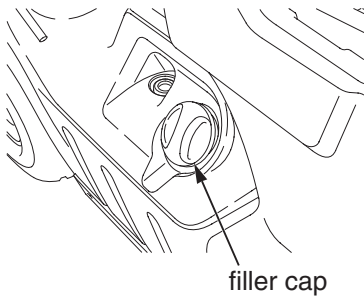


Fuel

1. To open the fuel fill cap, turn it counterclockwise.
2. Add fuel until the level reaches the bottom of the filler neck. Avoid over filling the tank. There should be no fuel in the filler neck.

OPEN THE FUEL FILL CAP



⚠ WARNING

Gasoline is highly flammable and explosive. You can be burned or seriously injured when handling fuel.

- Stop the engine and keep heat, sparks and flame away.
- Handle fuel only outdoors.
- Wipe up spills immediately.

3. After refueling, turn the fuel fill cap clockwise until it clicks.

If you replace the fuel fill cap, use only a Honda Genuine replacement part.