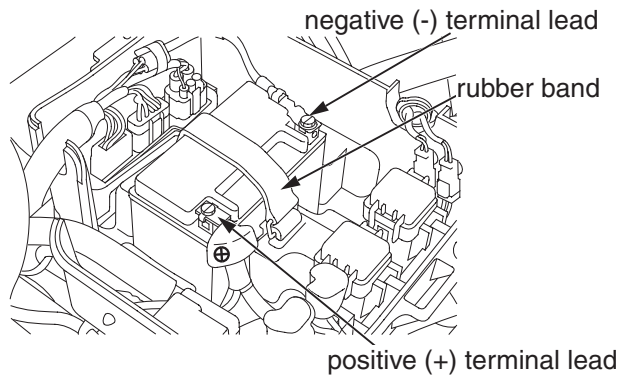
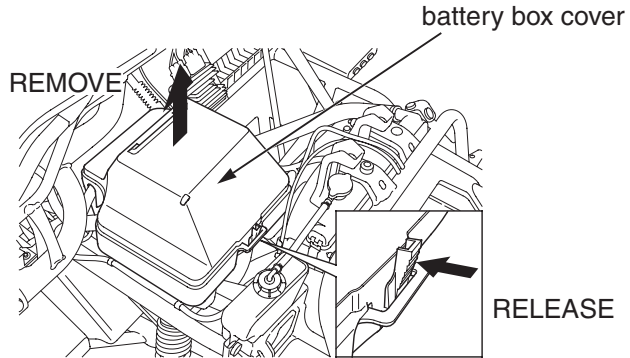


# Battery

---

The battery is located under the front hood.

## UNDER FRONT HOOD



### Removal

1. Make sure the ignition switch is OFF (O).
2. Open the front hood (page 82).
3. Remove the battery box cover.
4. Release the rings and remove the rubber band.
5. Disconnect the negative (−) terminal lead from the battery first, then disconnect the positive (+) terminal lead.