

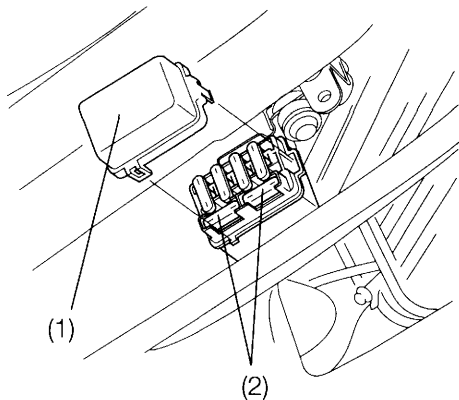
Fuse box :

The fuse box is located under the right inner cover.

The specified fuses are:

10A, 20A

1. Remove the inner fairing (page 42).
2. Open the fuse box cover (1).
3. Pull out the old fuse and install a new fuse.
4. The spare fuses (2) are located in the fuse box.
5. Close the fuse box cover and install the inner cover.



(1) Fuse box cover

(2) Spare fuses