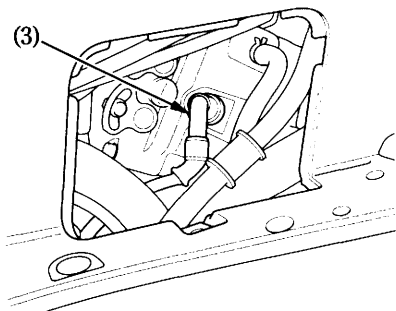


2. Disconnect the spark plug cap (3) from the spark plug.
3. Clean any dirt from around the spark plug base.
Remove the spark plug using the spark plug wrench furnished in the tool kit.

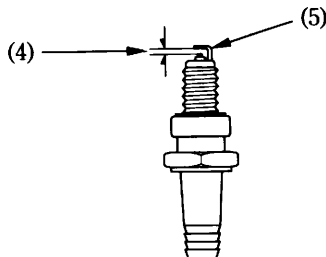


(3) Spark plug cap

4. Inspect the electrodes and center porcelain for deposits, erosion or carbon fouling. If the erosion or deposit is heavy, replace the plug. Clean a carbon or wet-fouled plug with a plug cleaner, otherwise use a wire brush.
5. Check the spark plug gap (4) using a wire-type feeler gauge. If adjustment is necessary, bend the side electrode (5) carefully.

The gap should be:

0.80–0.90 mm (0.031–0.035 in)



(4) Spark plug gap

(5) Side electrode