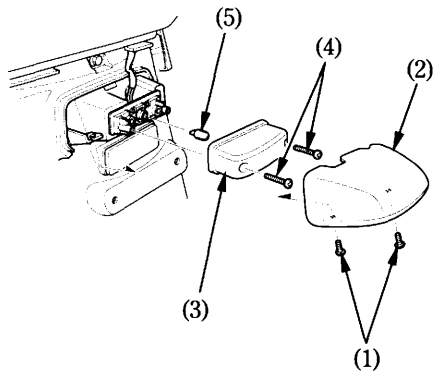


License Light Bulb

1. Remove the body cover skirt (page 103).
2. Remove the screws A (1) and license light cover (2).
3. Remove the license light lens (3) by removing the screws B (4).
4. Pull out the bulb (5) without turning.
5. Install a new bulb in the reverse order of removal.



- (1) Screws A
- (2) License light cover
- (3) License light lens
- (4) Screws B
- (5) Bulb