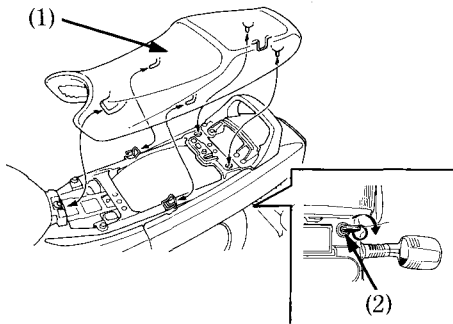


SEAT

To remove the seat (1), Insert the ignition key into the seat lock (2), turn it clockwise. Pull the seat back and up. To install the seat, insert the prong into the recess under the frame cross member and then push down on the rear of the seat.

CAUTION:

* **Be sure to securely lock the seat after reinstalling it.**



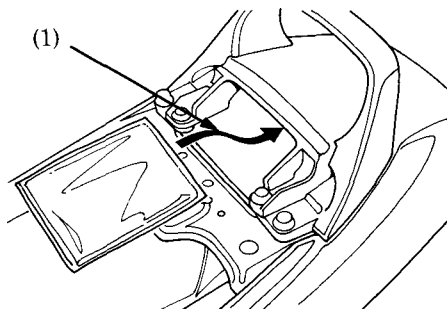
(1) Seat

(2) Seat lock

DOCUMENT COMPARTMENT

The document compartment (1) is under the seat.

This owner's manual and other documents should be stored in the compartment. When washing your motorcycle, be careful not to flood this area with water.



(1) Document compartment