

THROTTLE OPERATION

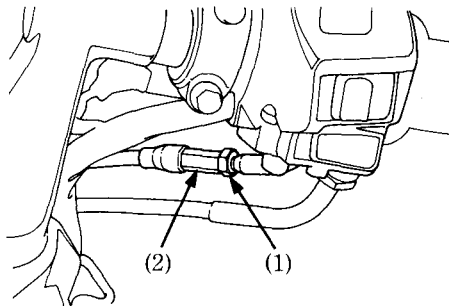
(Refer to the maintenance precautions on page 56).

Check for smooth rotation of the throttle grip from the fully closed to the fully open position. Check at full left and full right steering positions. Inspect the condition of the throttle cable from the throttle grip down to the carburettor. If the cable is kinked, chafed or improperly routed, it should be replaced and/or rerouted.

▲ WARNING

* **For safe operation and positive engine response, the throttle cable must be properly adjusted.**

Adjust free play with the throttle cable adjuster (2). Measured in grip rotation, the standard throttle grip free play is:
2–6 mm (0.08–0.24 in)



(1) Lock nut (2) Throttle cable adjuster