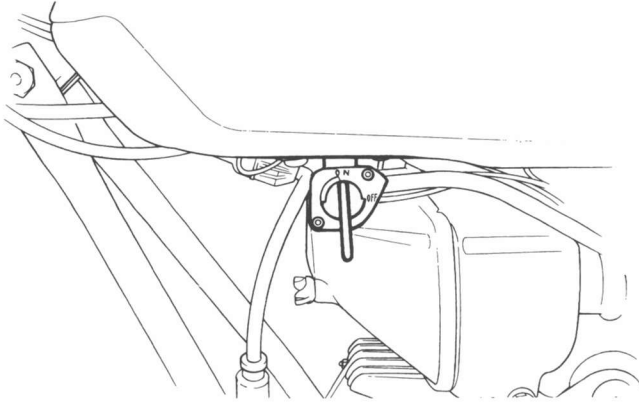

- FUEL COCK

ON:

Turn the fuel cock to this position before riding.

Fuel will flow from the fuel tank to the carburetor, making the engine ready for starting.



OFF:

Turn the fuel cock to this position after riding. Flow of fuel from the fuel tank to the carburetor is shut off.

