

## MAJOR COMPONENTS (Information you need to operate this motorcycle)

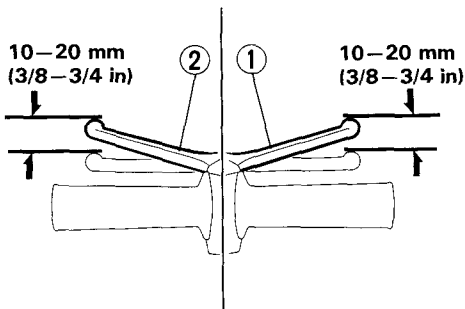
### **⚠ WARNING**

\* If the Pre-ride Inspection (page 32) is not performed, severe personal injury or vehicle damage may result.

### BRAKES

#### Adjustment:

1. Measure the distance the front brake lever

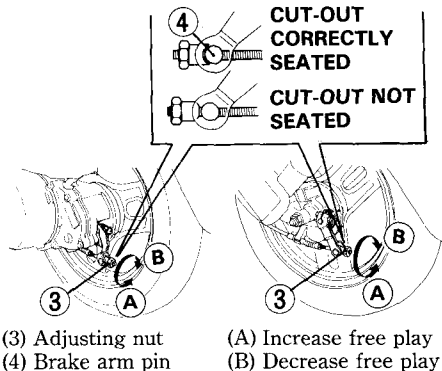


(1) Front brake lever (2) Rear brake lever

(1) and the rear brake lever (2) move before each brake starts to take hold. Free play at the tips of the brake levers should be:

10-20 mm (3/8-3/4 in)

2. Make free play adjustments by turning the adjusting nut (3) at the brake arm.



(3) Adjusting nut  
(4) Brake arm pin

(A) Increase free play  
(B) Decrease free play