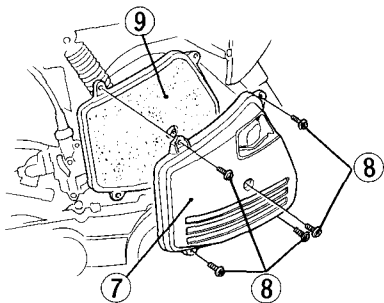


4. Remove the air cleaner case cover (7) by removing the five screws (8).
5. Wash the element (9) in clean, nonflammable or high flash point solvent and let it dry thoroughly.

⚠ WARNING

* Never use petrol or low flash point solvents for cleaning the air cleaner element. A fire or explosion could result.

6. Soak the element in gear oil (SAE 80–90) until saturated, then squeeze out the excess oil.
7. Installation Notes:
 - Reverse the removal procedure.
 - Make sure to engage all tabs on the side cover and to secure the screws.



- (7) Air cleaner case cover (8) Screws
(9) Air cleaner element