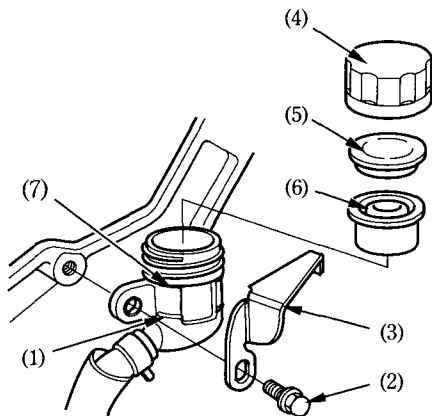


Brake fluid must be added to the reservoir whenever the fluid level begins to reach the LOWER level mark (1). Remove the bolt (2) and cap holder (3). Remove the reservoir cap (4), diaphragm plate (5) and the diaphragm (6). Fill the reservoir with DOT 4 BRAKE FLUID from a sealed container up to the UPPER level mark (7). Reinstall the diaphragm, diaphragm plate, cap, cap holder and bolt securely.

Other Checks:

Make sure there are no fluid leaks. Check for deterioration or cracks in the hoses and fittings.



- (1) LOWER level mark
- (2) Bolt
- (3) Cap holder
- (4) Reservoir cap
- (5) Diaphragm plate
- (6) Diaphragm
- (7) UPPER level mark