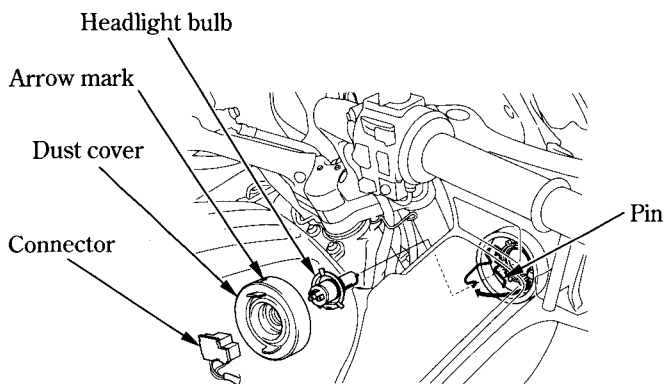

Headlight Bulb

1. Disconnect the connector.
2. Remove the dust cover.
3. Remove the bulb while pressing down on the pin.
4. Install a new bulb in the reverse order of removal.
 - Install the dust cover with its arrow mark facing up.



Position Light Bulb

1. Remove the inner cowl (page 84).
2. Pull the position light socket and remove it.
3. Pull out the bulb without turning.
4. Install a new bulb in the reverse order of removal.

