

FUEL SYSTEM

FUEL

Refueling

Fuel tank capacity is 2.14 US gal (8.1 ℓ), including 0.60 US gal (2.3 ℓ) in the reserve supply.

To refuel, remove the fuel tank cap (Fig. 4-2) by twisting it counterclockwise. Do not overfill (make sure there is no fuel in the filler neck). After adding fuel, tighten the fuel tank cap firmly by turning it clockwise. Align the arrow (2) on the cap with the reference mark (3) on the fuel tank.

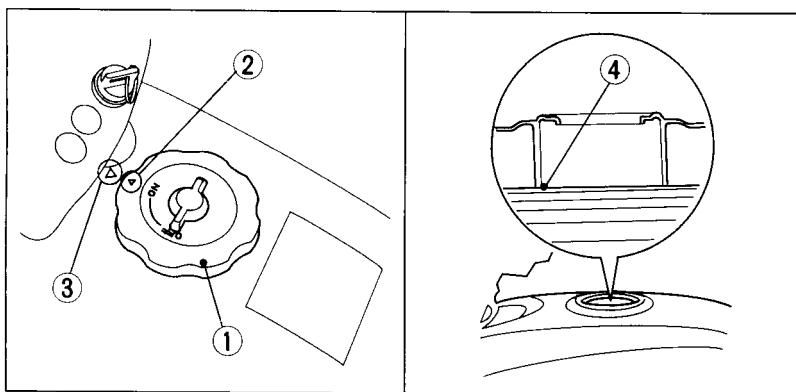


Fig. 4-2

(1) Fuel tank cap

(2) Arrow

(3) Reference mark

(4) Filler neck