

To check and adjust brake lever free play:

Measure the distance the rear brake lever moves before the brake starts to take hold. Free play, measured at the tip of the brake lever (Fig. 4-28), should be within 5/8–3/4 in (15–20 mm).

Minor adjustments can be made with the adjuster (2) on the brake lever. Loosen the lock nut (3) and turn the adjuster. Major adjustments should be made using the brake lever adjusting nut on the brake arm (Fig. 4-29).

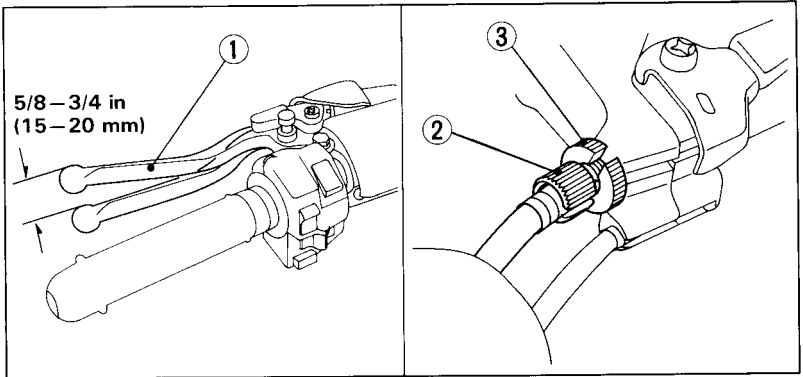


Fig. 4-28
(1) Brake lever

(2) Adjuster
(3) Lock nut