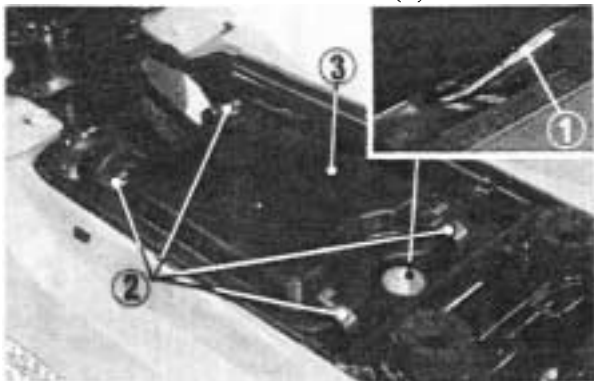


AIR CLEANER

The air cleaner element accumulates dust and must be cleaned periodically. If the FOUR TRAX is ridden in unusually dusty areas, the element must be cleaned at more frequent intervals than specified in the MAINTENANCE SCHEDULE. To clean the filter element:

1. Remove the seat by pulling the lever (1).
2. Release the four retaining hooks (2) attaching the air cleaner cover and remove the air cleaner cover (3).
3. Remove the air cleaner element (4).



(1) Lever

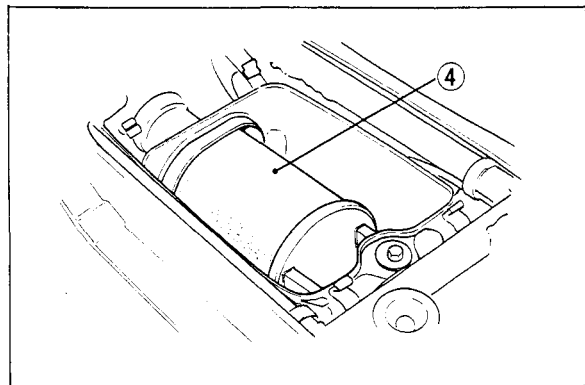
(2) Retaining hooks

(3) Air cleaner cover

4. Wash the element in a non-flammable or high flash point solvent. Allow it to dry thoroughly.

WARNING

- * *Never use gasoline or low flash point solvents for cleaning the air cleaner element. A fire or explosion could result.*
5. Soak the filter element in clean gear oil (SAE 80–SAE 90) until saturated, then squeeze out the excess oil.
 6. Reassemble in the reverse order of disassembly.



(4) Air cleaner element