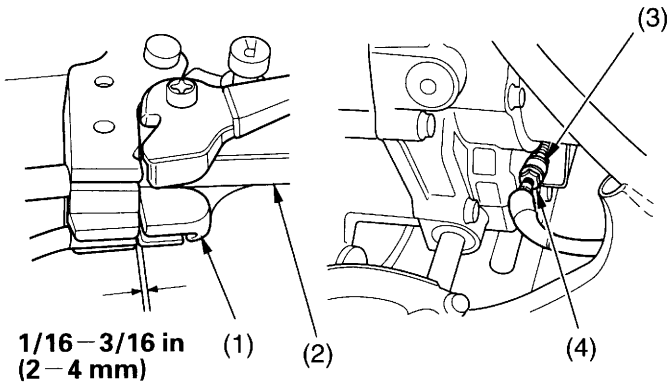


# Clutch System

## Reverse Lock System Adjustment

Refer to *Safety Precautions* on page 75 .

### LEFT HANDLEBAR



(1) reverse assist lever

(2) rear brake lever

(3) lock nut

(4) adjusting nut

1. Check the reverse assist lever ( 1 ) freeplay, measured at the rear brake lever ( 2 ) end near the cable:  
1/16–3/16 in (2–4 mm)
2. To adjust, loosen the lock nut ( 3 ) and turn the adjusting nut ( 4 ).  
After adjustment, tighten the lock nut securely.

### Other Checks

Check the reverse assist lever and cable for loose connections or other damage. If the cable is worn or kinked, have it replaced by your Honda dealer.