

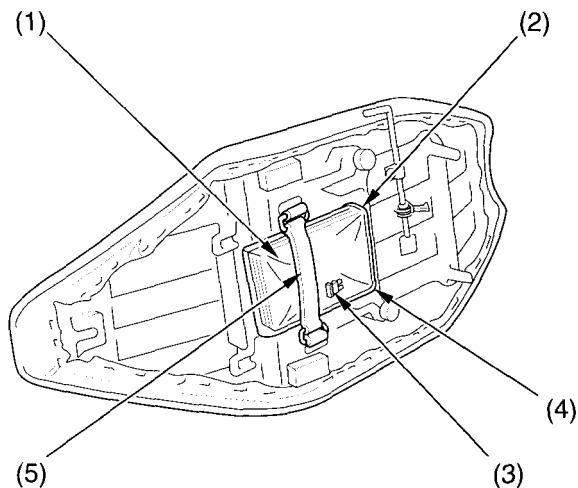
Owner's Manual Storage

Your ATV provides storage for the owner's manual so you'll have it with you for easy reference. Store your owner's manual (1) in the storage compartment (2) under the seat.

The owner's manual and spare fuse (3) should be stored in the plastic document bag (4) and fastened with the rubber band (5).

Be careful not to flood this area when washing your ATV.

SEAT UNDER SIDE



- (1) owner's manual
- (2) storage compartment
- (3) spare fuse

- (4) plastic document bag
- (5) rubber band