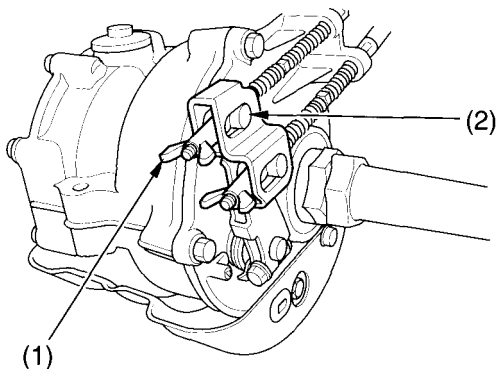


Parking Brake Adjustment

Refer to *Safety Precautions* on page 75 .

Parking brake adjustment may be required if the parking brake does not hold properly.

RIGHT REAR



(1) brake lever adjusting nut

(2) brake arm pin

Adjustment

1. Temporarily adjust the clutch lever/parking brake lever freeplay to more than 20 mm (3/4 in) (page 106).
2. Turn the brake lever adjusting nut (1), located on the brake operating rod at the rear of the frame. Make sure the cutout on the adjusting nut is properly seated on the brake arm pin (2).