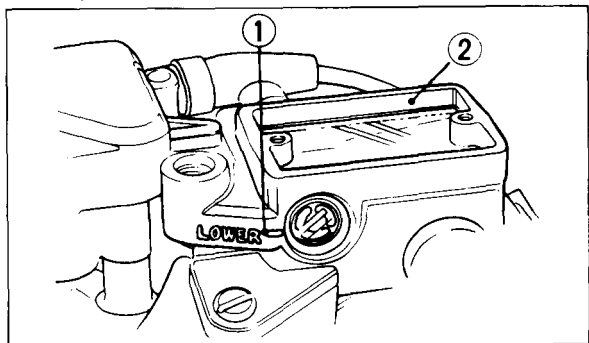


Brake Fluid Level:

WARNING

- * *Brake fluid may cause irritation. Avoid contact with skin or eyes. In case of contact, flush thoroughly with water and call a doctor if your eyes were exposed.*

Brake fluid must be added to the reservoir whenever the fluid level begins to reach the lower level mark (1). Remove the screws, reservoir cover, and diaphragm. Fill the reservoir with DOT 3 or 4 BRAKE FLUID from a sealed container up to the upper level mark (2). Reinstall the diaphragm and cover. Tighten the screws securely.



- (1) Lower level mark
- (2) Upper level mark

CAUTION

- * *When adding brake fluid, be sure the reservoir is horizontal before the cover is removed or brake fluid may spill out.*
- * *Use only DOT 3 or 4 brake fluid from a sealed container.*
- * *Handle brake fluid with care because it can damage paint and instrument lenses.*
- * *Never allow contaminants (dirt, water, etc.) to enter the brake fluid reservoir.*

Other Checks:

Make sure there are no fluid leaks. Check for deterioration or cracks in the hose and fittings.