

Tool Kit

The tool kit (1) is stored in the storage compartment (2) below the rear cargo rack.

To open the compartment, unhook the rubber strap (3).

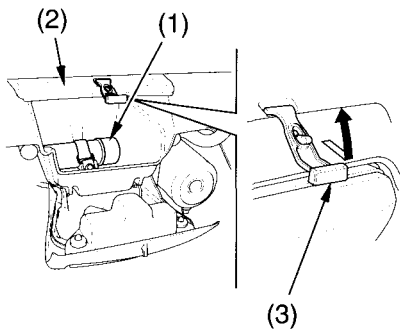
The gear change tool (4) is stored underside of the seat.

The tools in the kit are sufficient to perform routine maintenance and simple repairs. Any extensive work requiring additional tools should be performed by your Honda dealer.

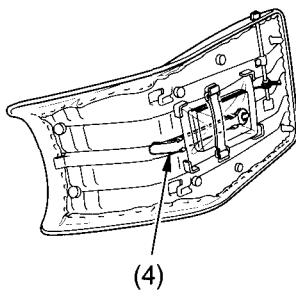
The tool kit includes the following items:

- * standard/Phillips screwdriver
- * screwdriver handle
- * spark plug wrench
- * air pressure gauge
- * tool case

REAR



SEAT UNDERSIDE



- (1) tool kit
(2) storage compartment

- (3) rubber strap
(4) gear change tool