

## Battery Removal

1. Make sure the ignition switch is ○ (OFF).
2. Remove the seat (page 124).
3. Release the rings and remove the rubber band (2).
4. Disconnect the negative (-) terminal lead (3) from the battery (1) first, then disconnect the positive (+) terminal lead (4).
5. Remove the battery.
  - \* Install in the reverse order of removal.
  - \* Check all bolts and other fasteners are secure.
  - \* After installing the battery, check to see if the battery cables are routed correctly.

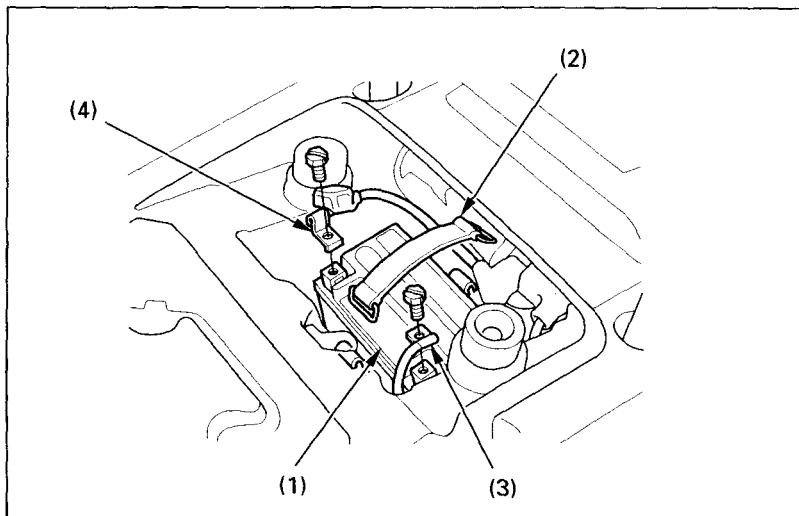


Fig. 4-17

(1) Battery

(2) Rubber band

(3) Negative (-) terminal lead

(4) Positive (+) terminal lead