

Battery Removal

1. Make sure the ignition switch is OFF (\circ).
2. Remove the seat (page 124).
3. Release the rings and remove the rubber band (2).
4. Disconnect the negative (-) terminal lead (3) from the battery (1) first, then disconnect the positive (+) terminal lead (4).
5. Remove the battery.
 - * Install in the reverse order of removal.
 - * Check all bolts and other fasteners are secure.
 - * After installing the battery, check to see if the battery cables are routed correctly.

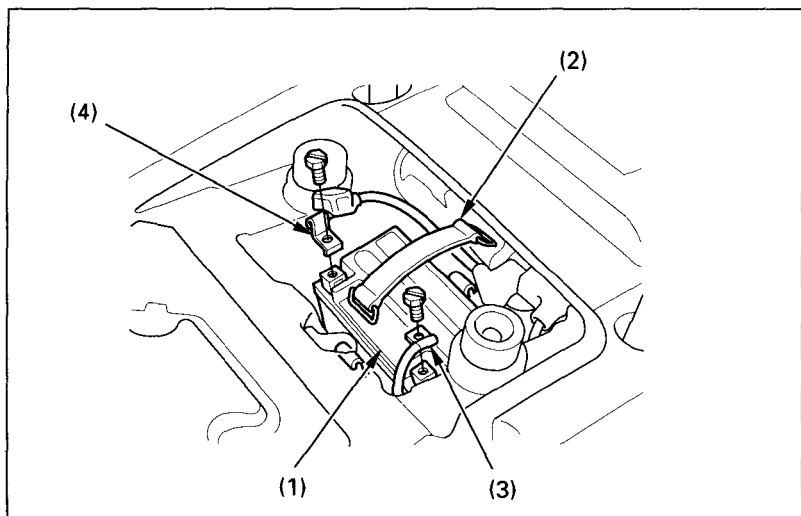


Fig. 4-17

(1) Battery
(2) Rubber band

(3) Negative (-) terminal lead
(4) Positive (+) terminal lead