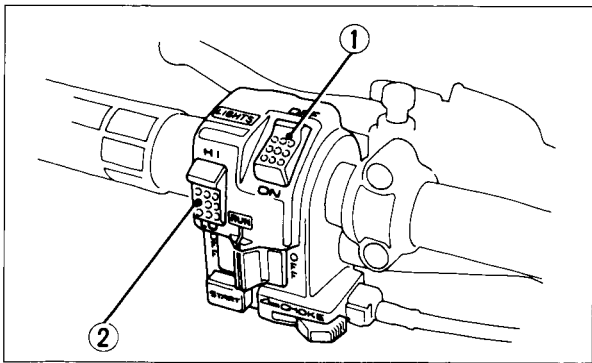


Headlight and Headlight Dimmer Switches

The headlight (1) and headlight dimmer (2) switches are above the engine stop switch.

Turning the headlight switch ON causes the headlights to light. Select headlight high beam (HI) or low beam (LO) with the dimmer switch.



(1) Headlight switch (2) Headlight dimmer switch

Engine Oil Temperature Warning Lamp

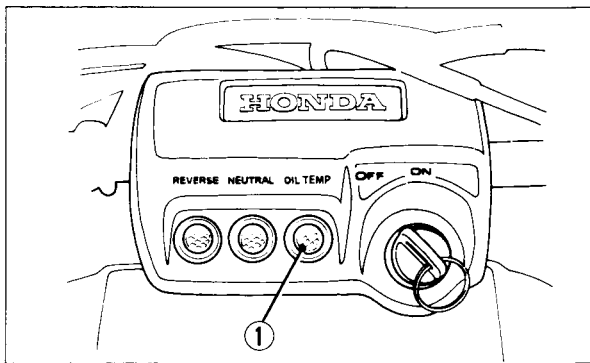
When the engine oil temperature becomes too high, the engine oil temperature warning lamp (1) will light. The engine oil temperature warning lamp will light but go off several seconds after turning the ignition switch ON.

CAUTION:

* *If the engine oil temperature warning lamp lights while you are riding, stop the engine immediately and let it cool. Failure to stop the engine immediately will adversely affect the service life of the engine.*

If the warning lamp comes on frequently while riding, have your FOURTRAX inspected by your authorized Honda dealer.

A heavy duty cooling fan is available as an optional part to provide more air flow under adverse conditions.



(1) Engine oil temperature warning lamp