

FUEL

Fuel Valve

The three way fuel valve (1) is on the left side of the fuel tank.

OFF

When the fuel valve is in the OFF position, fuel cannot flow from the tank to the carburetor. Turn the valve off whenever the FOURTRAX is not in use.

ON

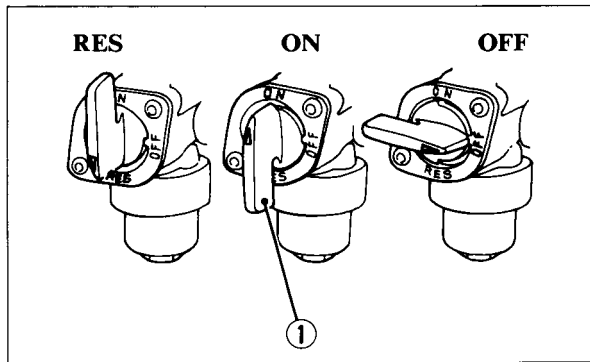
When the fuel valve is in the ON position, fuel will flow from the main fuel supply to the carburetor only when the engine is being started or is running.

RES

When the fuel valve is in the RES position, fuel will flow from the reserve fuel supply to the carburetor. Use the reserve fuel only when the main supply is gone. Refill the tank as soon as possible after switching to RES. The reserve fuel supply is 2.5 l (0.7 US gal).

NOTE:

- * Do not operate the FOURTRAX with the fuel valve in the RES position after refueling. You may run out of fuel with no reserve.



(1) Fuel valve