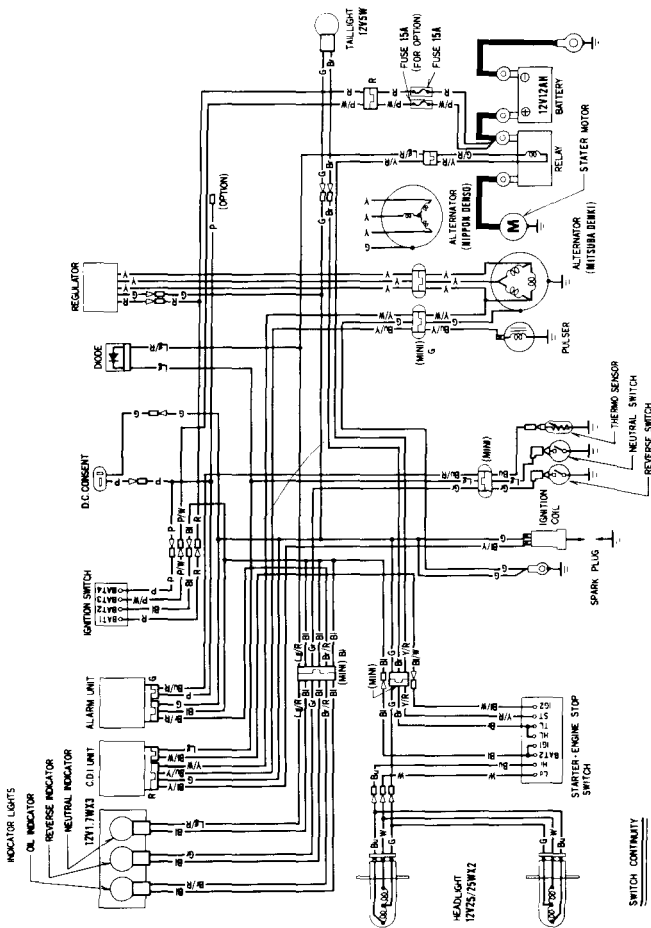
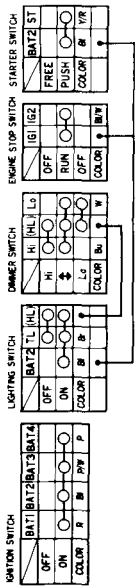


WIRING DIAGRAM



- B . . . BLACK
- Y . . . YELLOW
- L . . . LIGHT BLUE
- G . . . GREEN
- R . . . RED
- W . . . WHITE
- O . . . ORANGE
- LB . . . LIGHT BLUE
- LG . . . LIGHT GREEN
- P . . . PINK
- GR . . . GRAY

0030Z-HM5-6700



SWITCH CONTINUITY