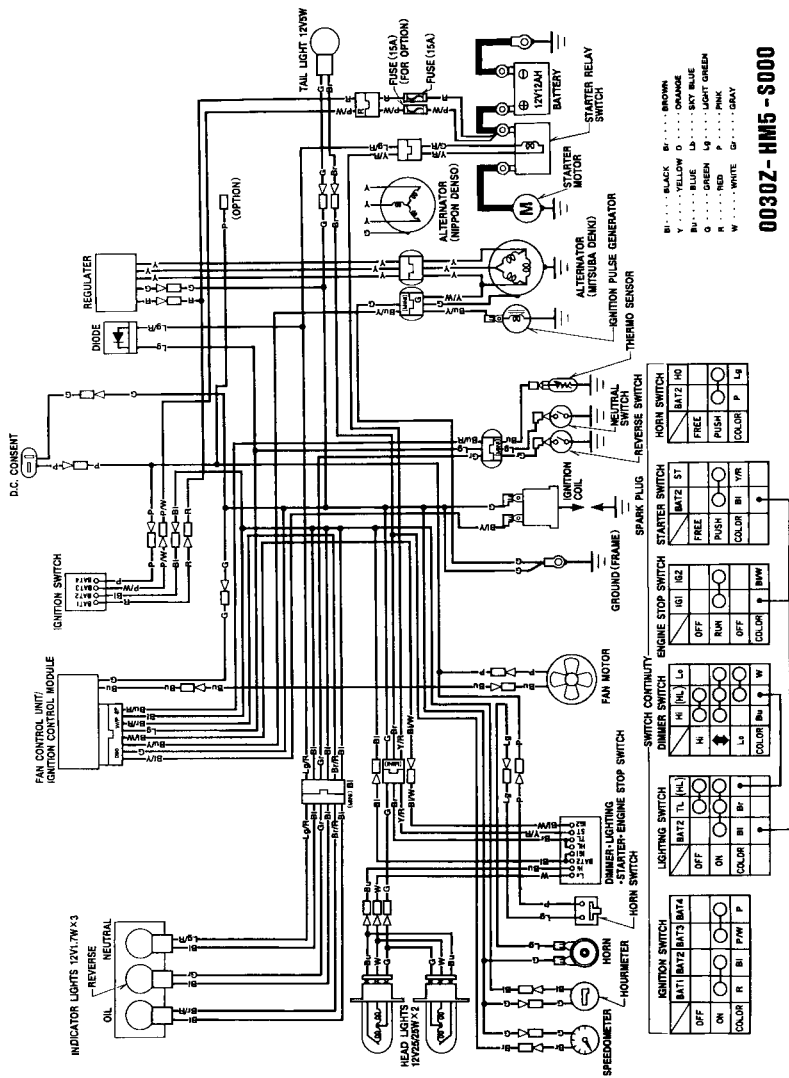


WIRING DIAGRAM



0030Z-HM5-S000