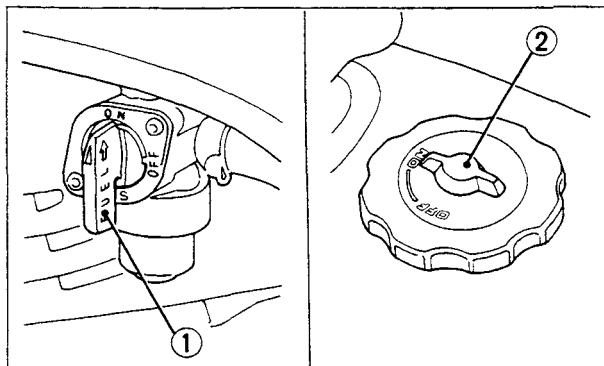


## STARTING THE ENGINE

### WARNING

- \* *Never run the engine in a closed area. The exhaust contains poisonous carbon monoxide gas that can cause loss of consciousness and may lead to death.*
- \* *Do not try to start the engine with the transmission in gear. You may injure yourself or damage the vehicle.*

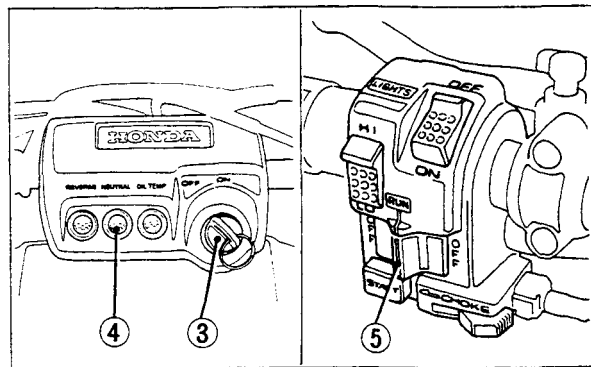


(1) Fuel valve

(2) Fuel cap vent lever

## Preparation

1. Select a level surface and lock the parking brake (page 15) before starting the engine.
2. Turn the fuel valve (1), fuel cap vent lever (2) and ignition switch (3) to ON.
3. Make sure the transmission is in neutral by checking the neutral indicator lamp (4) and the engine stop switch (5) is at RUN.



(3) Ignition switch

(4) Neutral indicator lamp

(5) Engine stop switch