

## Rear Brake Pedal

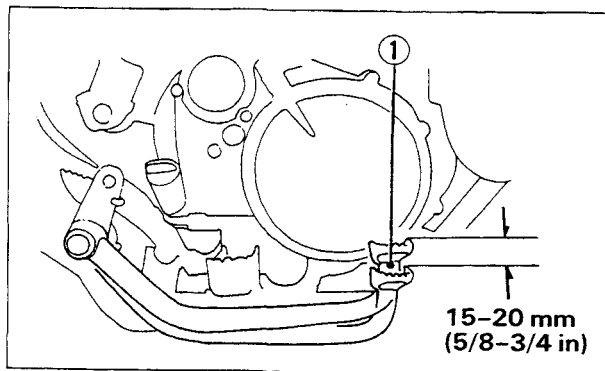
Measure the distance the rear brake pedal moves before the brake starts to take hold.

Free play, measured at the end of the pedal (1), should be 15–20 mm (5/8–3/4 in).

Adjust by turning the brake pedal adjusting nut (2) located on the brake operating rod at the rear of the frame.

### NOTE:

\* Make sure the cut-out on the adjusting nut is seated on the brake arm pin.

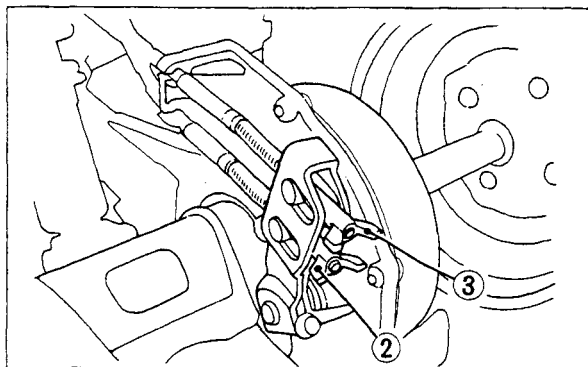


(1) Rear brake pedal

## Other Checks:

Check the brake cable for kinks or signs of wear that could cause sticking or failure. Lubricate the brake cable with a commercially available cable lubricant to prevent premature wear and corrosion.

Make sure the brake arm, spring, and fasteners are in good condition.



(2) Brake pedal adjusting nut

(3) Brake lever adjusting nut