

3. Remove the oil filter cover (Fig. 4-13) by removing the screws. Let the remaining oil drain out. Discard the oil filter (2).
4. Check that the oil filter cover O-rings (3) are in good condition and then install a new oil filter. Use the Honda oil filter or an equivalent filter specified for your model. Other filters not specified for your model may not filter impurities properly.
5. Install the filter with the rubber seal facing out, away from the engine. You will see "OUT-SIDE" on the filter body, near the seal.

**CAUTION:**

**Improper installation of the oil filter can cause serious engine damage.**

6. Reinstall the oil filter cover (1), making sure the bolts are tightened securely.

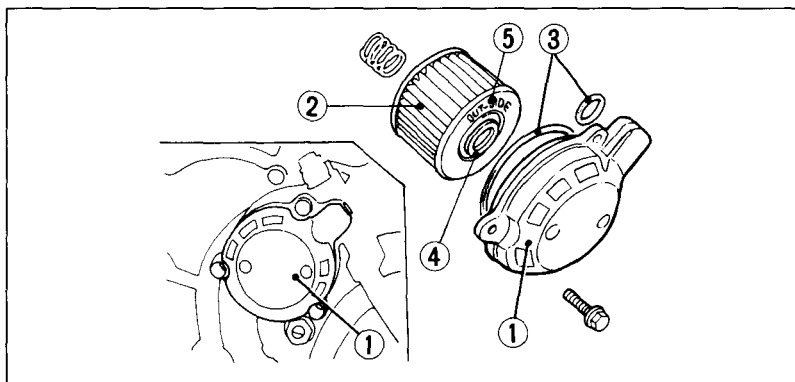


Fig. 4-13

(1) Oil filter cover

(2) Oil filter

(3) O-rings

(4) Rubber seal

(5) OUT-SIDE mark