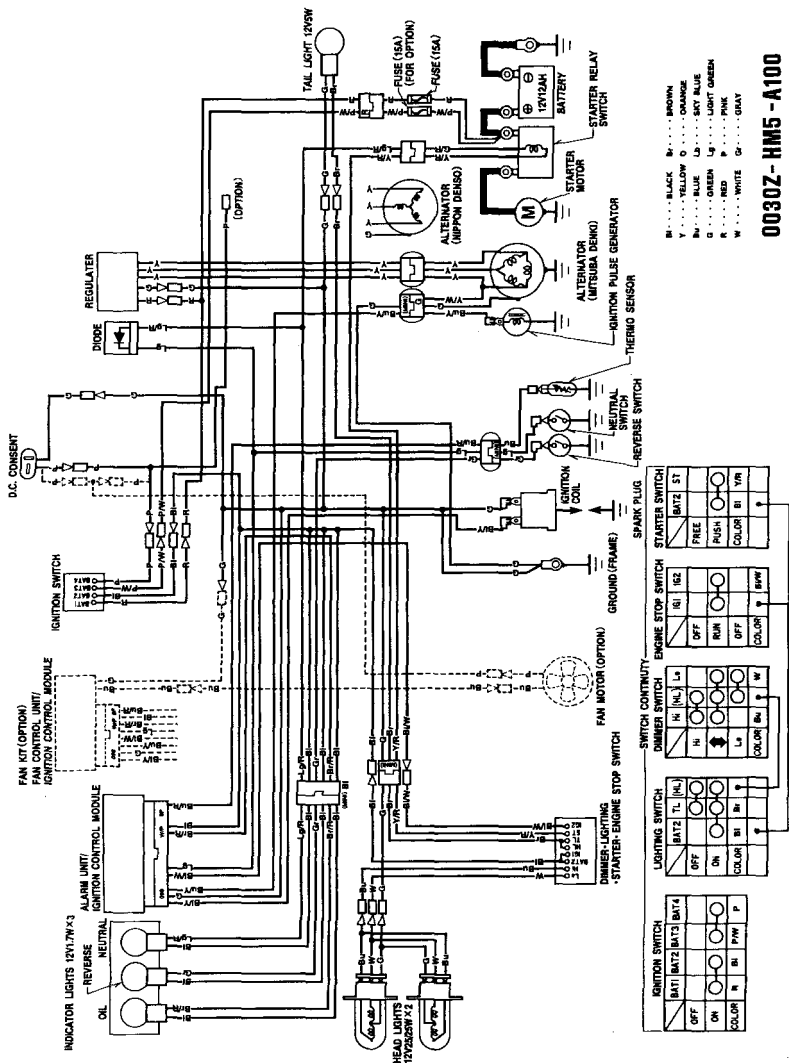


# WIRING DIAGRAM



0030Z-HM5-A100