

- (21) Accessory socket
- (22) Fuel valve
- (23) Starting primer knob
- (24) Storage compartment, containing:
  - Tool kit
  - Air pressure gauge
  - Owner's Manual
- (25) Oil filler cap
- (26) Gearshift pedal
- (27) Left footpeg
- (28) Trailer hitch

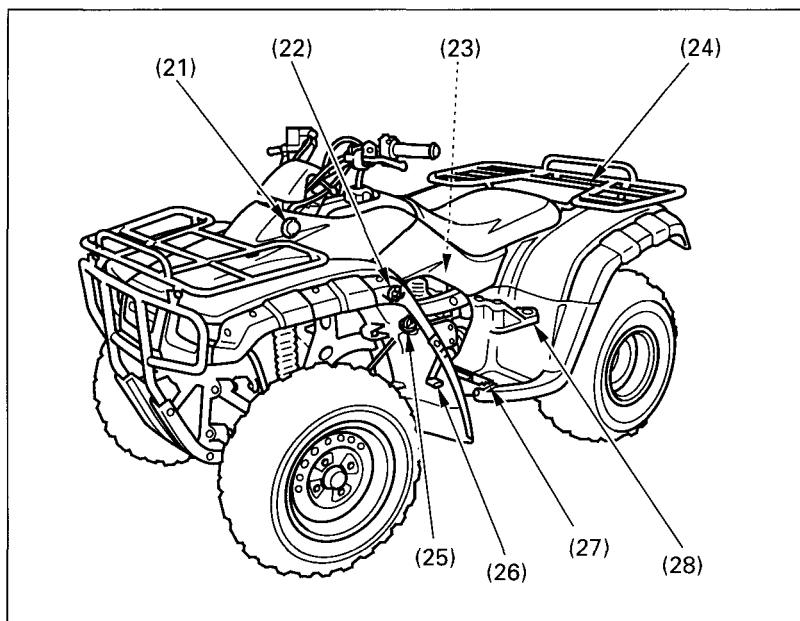


Fig. 2-3

Left side of FOURTRAX