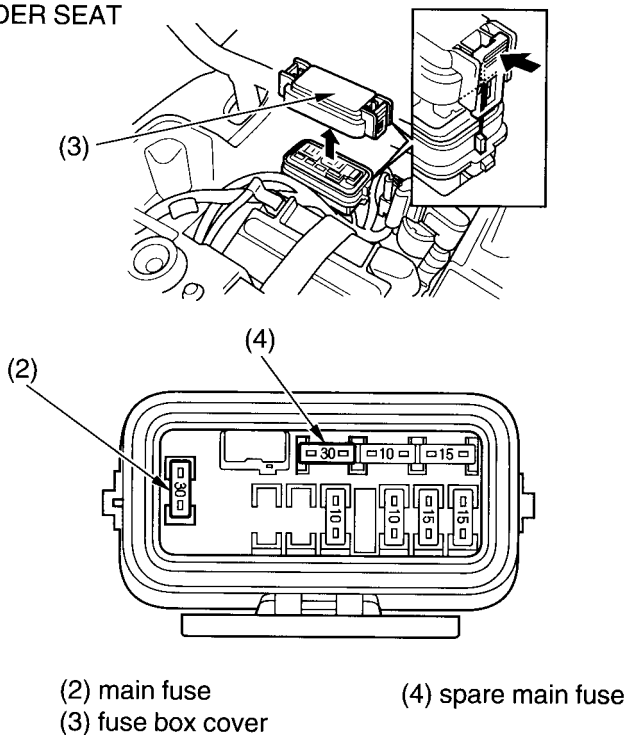


If a Fuse Blows

Main Fuse Access

1. To prevent an accidental short circuit, turn the ignition switch OFF (○) before checking or replacing the fuses.
2. Remove the seat (page 96).
3. Remove the rear fender lid (page 148).
4. To access the main fuse (2), remove the fuse box cover (3).

UNDER SEAT



5. Pull the main fuse out.

If it is blown, install the spare main fuse (4).