

## Storage Compartment

The storage compartment (Fig. 2-22) is below the rear fender. Remove the compartment cover (1) to gain access to the compartment. The Owner's Manual (2), tire pressure gauge (3) and tool kit (4) should be stored in the storage compartment (5).

Be careful not to flood this area when washing your Sportrax or riding through water.

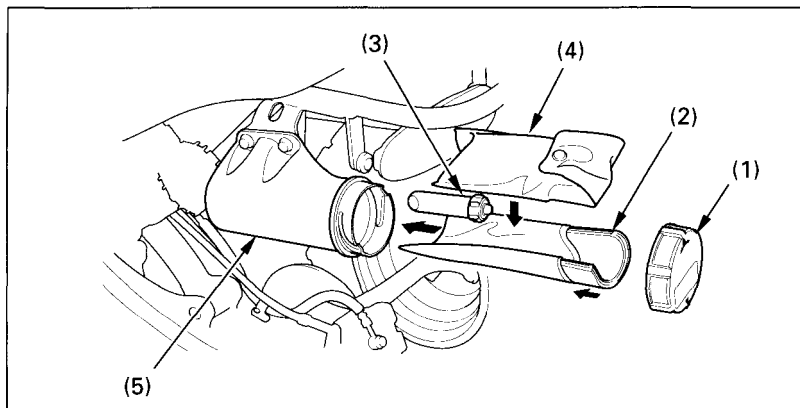


Fig. 2-22 (1) Compartment cover (2) Owner's manual (3) Tire pressure gauge (4) Tool kit (5) Storage compartment