

5. Remove the oil filter cover (3) (Fig. 4-13) by removing the bolts (4). Let the remaining oil drain out. Discard the oil filter (6).

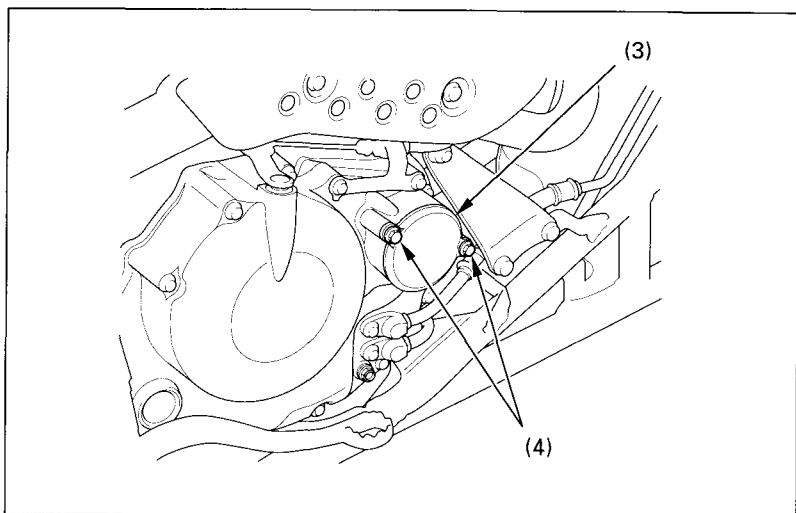


Fig. 4-13

(3) Oil filter cover
(4) Bolts