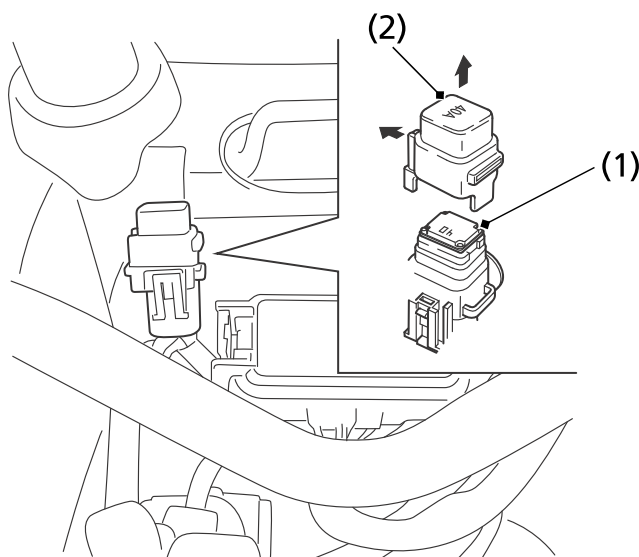


## If a Fuse Blows

### *PS (Electric Power Steering) Fuse Access (TRX420FM2 only)*

1. Turn the ignition switch to OFF (O) before checking the fuse.
2. Remove the seat (page 124).
3. Remove the rear fender cover (page 127).
4. To access the PS fuse (1), remove the PS fuse box cover (2).  
If the PS fuse is blown, see your dealer for this service.
5. Install the PS fuse box cover.
6. Install the rear fender cover.
7. Install the seat.

### UNDER REAR FENDER COVER



(1) PS fuse

(2) PS fuse box cover

(cont'd)