



Brakes

Fluid Level Inspection

Refer to *Safety Precautions* on page 89 .

If your inspection indicates a low fluid level, have your Honda dealer add the recommended fluid.

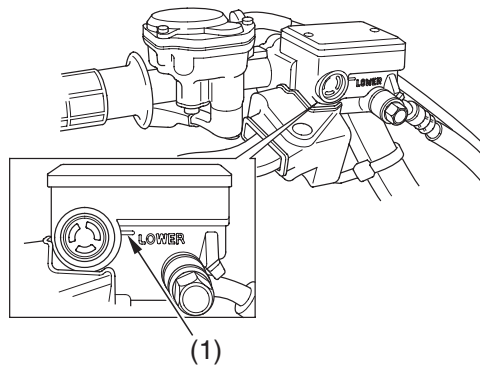
Do not add or replace brake fluid, except in an emergency. If you do add fluid, have your Honda dealer check the system as soon as possible.

NOTICE

Brake fluid can damage plastic and painted surfaces. Handle with care.

Wipe up spills immediately. Avoid brake fluid contact with skin or eyes. If it comes in contact with your eyes, wash them out with clean water and immediately call a doctor. If it comes in contact with your skin, wash with clean water and, if necessary, call a doctor.

RIGHT HANDLEBAR



(1) LOWER level mark

