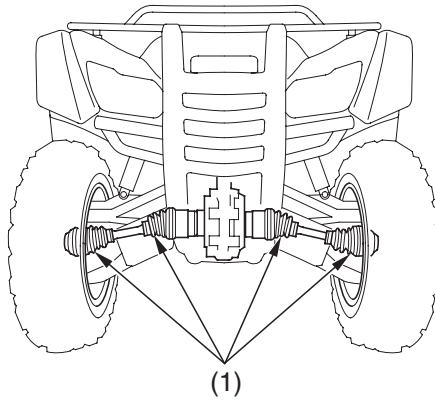




Drivetrain Boots

Front Driveshaft Boots (Except TRX420TE)

Refer to *Safety Precautions* on page 89.



(1) rubber driveshaft boots

Check the rubber driveshaft boots (1) for cuts, damage or leaking grease. If necessary, have your Honda dealer replace them.

