

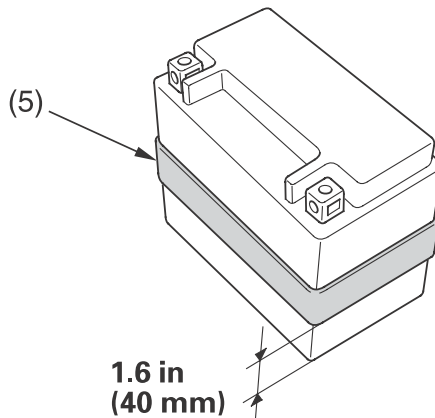


Battery

6. Remove the battery.
7. Charge the battery (see following section).
8. Store your battery in an easy-to-reach location off the floor, in an area protected from freezing temperature and direct sunlight.
9. Clean the compartment after removing the battery for storage. Dry the compartment and, if paint is missing, re-paint the area.
10. Slow charge the battery (see following section) once every 30 days.

Installation

1. Check that the battery band (5) for damage. If necessary, replace the battery band.
2. Make sure the battery band is properly position.
3. Reinstall in the reverse order of removal.
Be sure to connect the positive (+) terminal first, then the negative (-) terminal.
4. Make sure all bolts and other fasteners are secure.



(5) battery band

